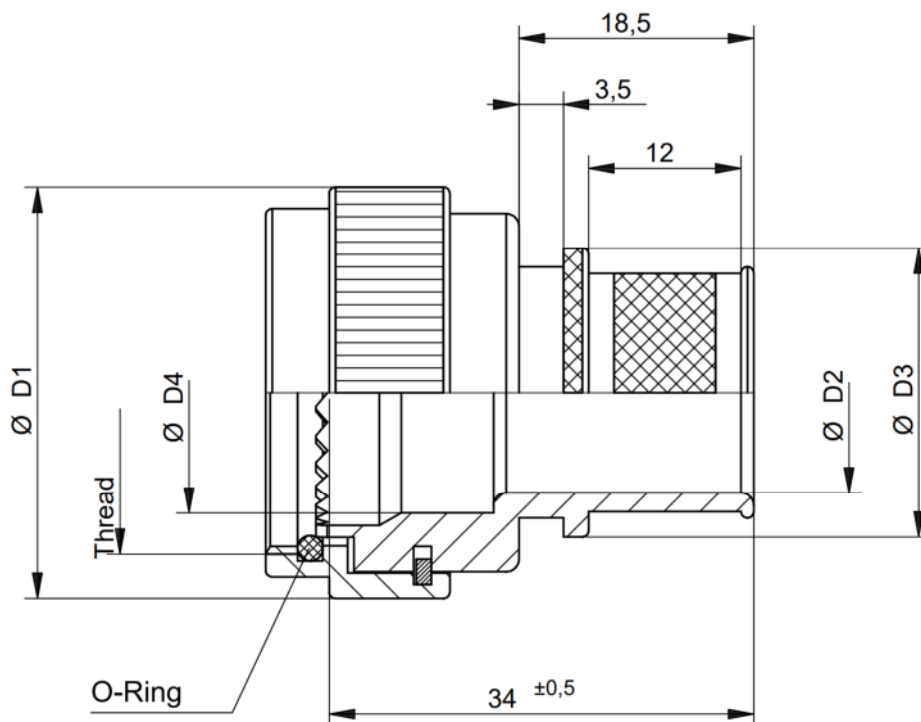


Band / CFS - Backshell**A17-650-_____**To suit connectors to series: **PATT 105, PATT 603****Applications:**

- Termination of screened and braided cables / also suitable for double screened cables.
- For high level shielding effectiveness.

How to order**A17-650- 4 5 08**

Basic part number

Shell size code

Material & Plating option

Cable entry size

Table 1 Shell size code / basic part number

Basic Part number	Shell size	ØD1 max	ØD4 min	Thread size
A17-650-1_____	08	19,0	7,0	7/16-28 UNEF
A17-650-2_____	10	22,0	9,5	9/16-24 UNEF
A17-650-3_____	12	25,0	13,3	11/16-24 UNEF
A17-650-4_____	14	28,0	15,7	13/16-20 UNEF
A17-650-5_____	16	30,0	18,8	15/16-20 UNEF
A17-650-6_____	18	34,0	21,2	1 1/16-18 UNEF
A17-650-7_____	20	38,0	24,4	1 3/16-18 UNEF
A17-650-8_____	22	43,0	27,6	1 5/16-18 UNEF
A17-650-9_____	24	45,0	30,8	1 7/16-18 UNEF

Table 2: Entry size

Entry size code	ØD2 min	ØD3 max
03	4,7	13,9
04	6,3	13,9
05	7,9	15,5
06	9,5	17,2
07	11,1	18,7
08	12,7	20,3
09	14,2	21,9
10	15,8	23,5
11	17,4	25,1
12	19,0	26,7
13	20,6	28,3
14	22,2	29,9
15	23,8	31,5
16	25,4	33,1
17	27,0	34,7
18	28,6	36,3
19	30,2	37,9
20	31,8	39,5
21	33,3	41,1
22	35,0	42,7
23	36,5	44,3
24	38,1	45,9

Table 3: Material & Plating options

Material & Plating code	Plating finish	Electrically conductive	ROHS-/REACH Compatible
J	Black Hybrid finish Base material: Aluminium alloy Coupling Ring: Anodized, black Screen termination system: Electrically conductive (Nickel plating) All visible parts: Black coated in assembled condition. 500h salt spray resistance Version *J* is intermatable with Cadmium-, Nickel-, Zinc-Nickel-, and Zinc-Cobalt plated Connectors	YES	YES
U	Olive drab Hybrid finish Base material: Aluminium alloy Coupling Ring: Anodized, olive drab Screen termination system: Electrically conductive (Nickel plating) All visible parts: Olive drab coated in assembled condition. 500h salt spray resistance Version *U* is intermatable with Cadmium-, Nickel-, Zinc-Nickel-, and Zinc-Cobalt plated Connectors	YES	YES
5	Electroless nickel Base material: Aluminium alloy 48h salt spray resistance	YES	YES
2	Zinc-Nickel black Base material: Aluminium alloy Shell: Zinc-Nickel black Coupling Ring: Anodized, black 500h salt spray resistance	YES	YES
6	Cadmium olive drab Base material: Aluminium alloy Shell: Cadmium olive drab over electroless nickel Coupling Ring: Anodized, olive drab 500h salt spray resistance	YES	NO

All dimensions in mm