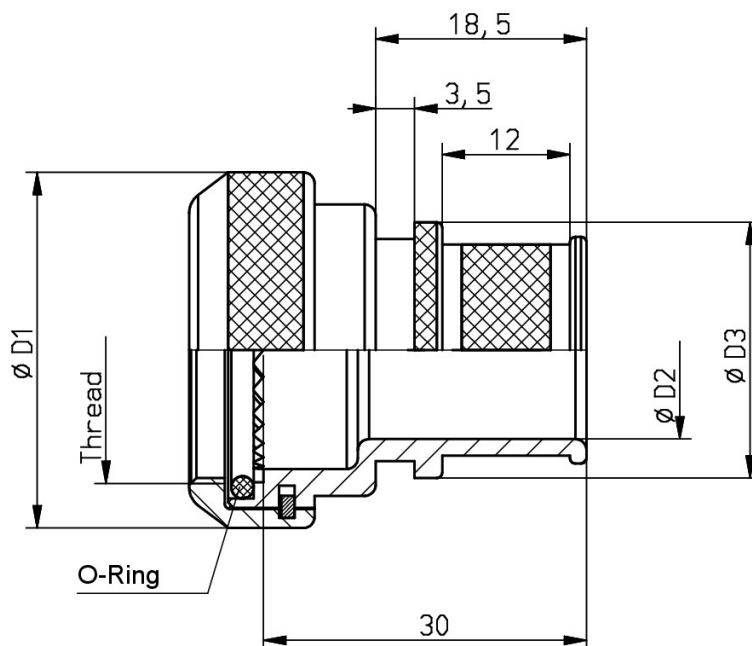


Band / CFS - Backshell**A37-655-_____**To suit connectors to series: **MIL-DTL-38999 Series III & IV****Applications:**

- Termination of screened and braided cables / also suitable for double screened cables.
- For high level shielding effectiveness.

How to order**A37-655- 4 5 08**

Basic part number _____

Shell size code _____

Material & Plating option _____

Cable entry size _____

Table 1 Basic part number & shell size code

| Basic Part number | Shell size | ØD1 max | Thread size | Recommended Fastening torque Nm |
|-------------------|------------|---------|-------------|---------------------------------|
| A37-655-1_ _ _ | 09 (A) | 19,5 | M12x1 | 5 |
| A37-655-2_ _ _ | 11 (B) | 23,0 | M15x1 | 5 |
| A37-655-3_ _ _ | 13 (C) | 25,9 | M18x1 | 8 |
| A37-655-4_ _ _ | 15 (D) | 30,2 | M22x1 | 8 |
| A37-655-5_ _ _ | 17 (E) | 33,0 | M25x1 | 10 |
| A37-655-6_ _ _ | 19 (F) | 35,9 | M28x1 | 10 |
| A37-655-7_ _ _ | 21 (G) | 39,2 | M31x1 | 11 |
| A37-655-8_ _ _ | 23 (H) | 42,4 | M34x1 | 12 |
| A37-655-9_ _ _ | 25 (J) | 45,7 | M37x1 | 13 |

Table 2: Entry size

| Entry size code | ØD2 min | ØD3 max |
|-----------------|---------|---------|
| 03 | 4,7 | 13,9 |
| 04 | 6,3 | 13,9 |
| 05 | 7,9 | 15,5 |
| 06 | 9,5 | 17,2 |
| 07 | 11,1 | 18,7 |
| 08 | 12,7 | 20,3 |
| 09 | 14,2 | 21,9 |
| 10 | 15,8 | 23,5 |
| 11 | 17,4 | 25,1 |
| 12 | 19,0 | 26,7 |
| 13 | 20,6 | 28,3 |
| 14 | 22,2 | 29,9 |
| 15 | 23,8 | 31,5 |
| 16 | 25,4 | 33,1 |
| 17 | 27,0 | 34,7 |
| 18 | 28,6 | 36,3 |
| 19 | 30,2 | 37,9 |
| 20 | 31,8 | 39,5 |
| 21 | 33,3 | 41,1 |
| 22 | 35,0 | 42,7 |
| 23 | 36,5 | 44,3 |
| 24 | 38,1 | 45,9 |

Table 3: Material & Plating options

| Material & Plating code | Plating finish | Electrically conductive | ROHS-/REACH Compatible |
|-------------------------|--|-------------------------|------------------------|
| J | Black Hybrid finish Base material: Aluminium alloy Coupling Ring: Anodized, black Screen termination system: Electrically conductive (Nickel plating) All visible parts: Black coated in assembled condition. 500h salt spray resistance Version *J* is intermatable with Cadmium-, Nickel-, Zinc-Nickel-, and Zinc-Cobalt plated Connectors | YES | YES |
| U | Olive drab Hybrid finish Base material: Aluminium alloy Coupling Ring: Anodized, olive drab Screen termination system: Electrically conductive (Nickel plating) All visible parts: Olive drab coated in assembled condition. 500h salt spray resistance Version *U* is intermatable with Cadmium-, Nickel-, Zinc-Nickel-, and Zinc-Cobalt plated Connectors | YES | YES |
| 5 | Electroless nickel Base material: Aluminium alloy 48h salt spray resistance | YES | YES |
| 2 | Zinc-Nickel black Base material: Aluminium alloy Shell: Zinc-Nickel black Coupling Ring: Anodized, black 500h salt spray resistance | YES | YES |
| 6 | Cadmium olive drab Base material: Aluminium alloy Shell: Cadmium olive drab over electroless nickel Coupling Ring: Anodized, olive drab 500h salt spray resistance | YES | NO |
| 9 | Marine Bronze (no additional plating) | YES | YES |
| 1 | Stainless Steel / passivated | YES | YES |

All dimensions in mm